



**Models Include:**

**LFS - 40 foot low floor transit bus with standard diesel drivetrain. Launched in 1995.**

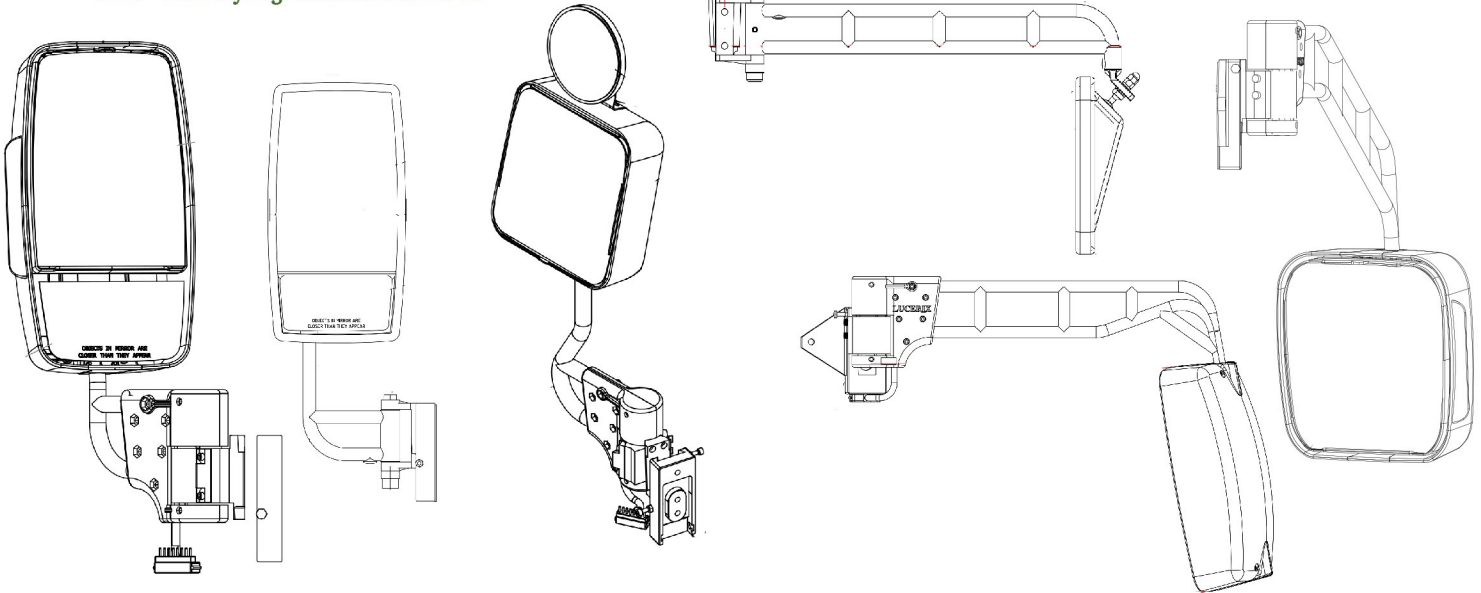
**LFSe - 40 foot low floor transit bus with electric drivetrain. Launched in 2011.**

**LFS HEV - 40 foot low floor transit bus with diesel electric hybrid drivetrain. Launched in 2006.**

**LFS Natural Gas - 40 foot low floor transit bus with compressed natural gas drivetrain. Launched in 2013.**

**LFS Artic - 62 foot low floor articulated transit bus. Launched in 2008.**

**LFX - BRT styling. Launched in 2008**



Curb Side kits	
Lucerix Part #	Description
32.600.00-24V	Curb, Triangle mount, Auto return bkt, 10" single lens convex pwr, heated, LED signal
23.768.00	Curb, Standard bkt crimped tip, 10" flat lens hand set, ball stud mount
32.614.00-24V	Curb, Triangle mount, Standard bkt 1", 15" dual lens pwr, heated, LED signal
32.952.00-24V	Curb, Triangle mount, Auto return bkt, 15" dual lens pwr, heated
32.534.00-12V	Curb, Triangle mount, Auto return bkt, 15" dual lens pwr, heated, LED signal
32.558.00-24V	Curb, Triangle mount, Auto return bkt (turn up end), 15" dual lens convex pwr, heated
32.574.00-24V	Curb, Triangle mount, Auto return bkt, 15" single lens convex pwr, heated

Road Side kits	
Lucerix Part #	Description
31.513.00-24V	Road, Cast body mount, Dual detent bkt with crimp, 10" single lens pwr, heated, 6" round convex
31.569.00-24V	Road, Cast body mount, Auto return bkt, 10" single lens pwr, heated, LED signal
22.831.00	Road, Cast body mount, Standard bkt, 15" dual lens hand set, NO Heat
31.615.00-24V	Road, Cast body mount, Standard bkt, 15" dual lens pwr, heated, LED signal
31.547.00-24V	Road, Cast body mount, Auto return bkt, 15" dual lens pwr, heated
31.533.00-24V	Road, Cast body mount, Auto return bkt, 15" dual lens pwr, heated, LED signal